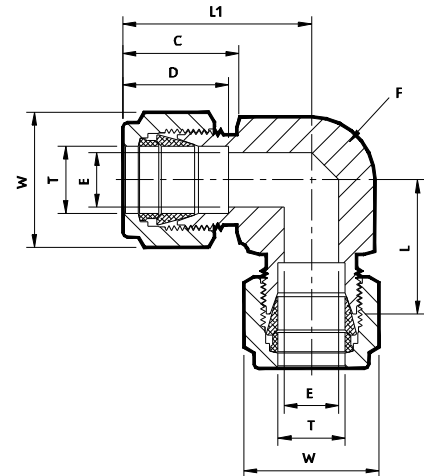


2.10 Union Elbow

01. Fractional Tube x Fractional Tube

Material - **SS 304 | SS 316**



Sr. No.	TUBE OD Ø T	Ref. Part No.		ØE	D	C	L	L1	Body Hex F	Nut Hex W
		SS 304	SS 316							
		UED4	UED6	Dimensions in Inches						
1	1/8	2UEDx4	2UEDx6	0.09	0.50	0.60	0.62	0.88	1/2	7/16
2	1/4	4UEDx4	4UEDx6	0.19	0.60	0.70	0.77	1.06	9/16	9/16
3	5/16	5UEDx4	5UEDx6	0.25	0.64	0.73	0.84	1.13	9/16	5/8
4	3/8	6UEDx4	6UEDx6	0.28	0.66	0.76	0.91	1.20	11/16	11/16
5	1/2	8UEDx4	8UEDx6	0.41	0.90	0.86	1.02	1.42	13/16	7/8
6	5/8	10UEDx4	10UEDx6	0.50	0.96	0.86	1.10	1.50	7/8	1
7	3/4	12UEDx4	12UEDx6	0.62	0.96	0.86	1.17	1.57	1.1/16	1.1/8
8	1	16UEDx4	16UEDx6	0.88	1.23	1.04	1.45	1.93	1.3/8	1.1/2

02. Metric Tube x Metric Tube

Material - **SS 304 | SS 316**

Sr. No.	TUBE OD Ø T	Ref. Part No.		ØE	D	C	L	L1	Body Hex F	Nut Hex W
		SS 304	SS 316							
		MUED4	MUED6	Dimensions in Millimetres						
1	3	3MUEDx4	3MUEDx6	2.4	12.9	15.3	15.7	22.3	12.5	11.1
2	6	6MUEDx4	6MUEDx6	4.8	15.3	17.7	19.6	27.0	14	14.2
3	8	8MUEDx4	8MUEDx6	6.4	16.2	18.6	21.3	28.8	14	16
4	10	10MUEDx4	10MUEDx6	7.9	17.2	19.5	23.9	31.5	17.5	19
5	12	12MUEDx4	12MUEDx6	9.5	22.8	22.0	25.9	36.0	20.5	22.2
6	16	16MUEDx4	16MUEDx6	12.7	24.4	22.0	28.7	38.0	22.5	25.4
7	18	18MUEDx4	18MUEDx6	15.1	24.4	22.0	29.7	39.8	27	30
8	20	20MUEDx4	20MUEDx6	15.9	26.0	22.0	34.5	44.6	32	32
9	25	25MUEDx4	25MUEDx6	21.8	31.3	26.5	36.8	49.1	36	38

- NOTE :
- ① The E Dimension is the minimum opening.
 - ② Dimension L1, C, D is shown in the finger-tight position.

All part numbers are proprietary of their respective owners, Dimensions are for reference only and are subject to change